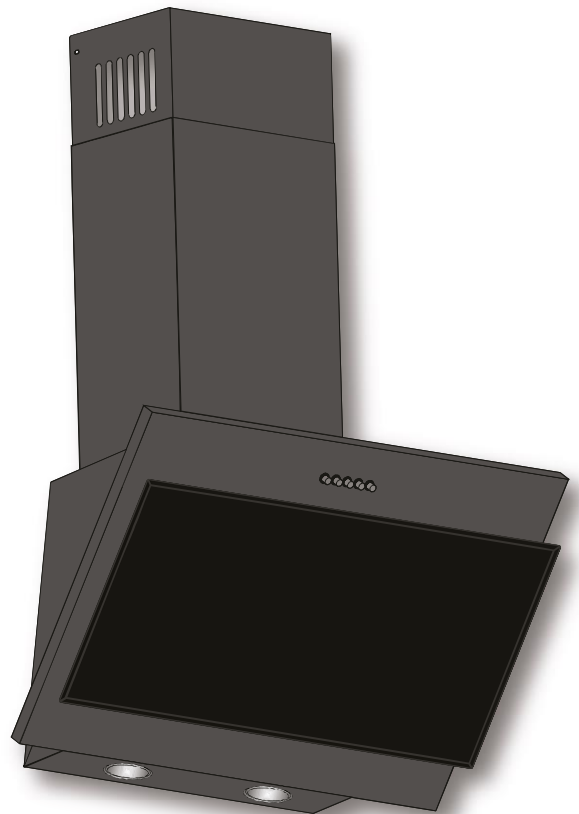
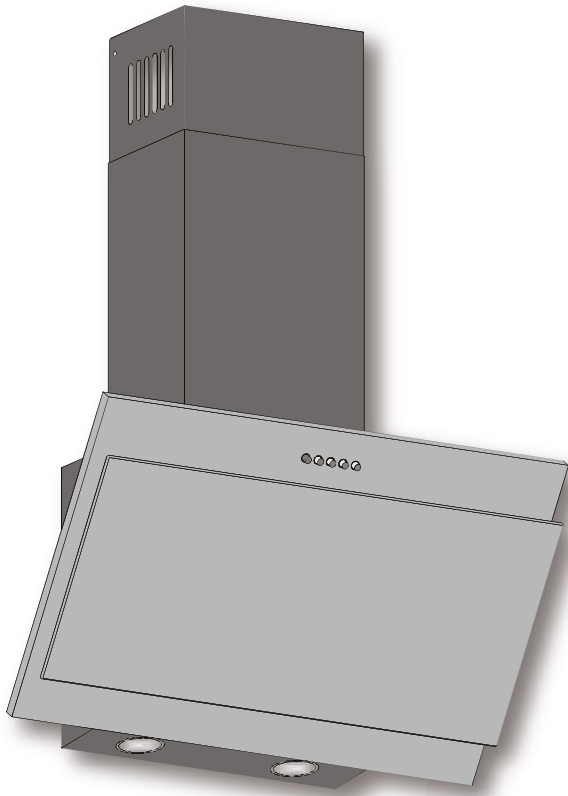


BELDEKO

**KITCHEN EXTRACTOR HOOD
HOTTE de VENTILATION**

ROCILI



EN

FR



**SER'S MANUAL
MODE d'EMPLOI**

Dear customer!

Thank you for choosing the products of the brand "BELDEKO". We put our best efforts so you were satisfied with your choice.

1. GENERAL INFORMATION

1.1 Prior to installing the extractor hood carefully read our recommendations, following which will provide safe work of the appliance. Save this User's manual, as it contains answers to the questions which may arise later.

BEFORE STARTING THE OPERATION (SWITCHING ON) THE APPLIANCE MUST BE HELD AT THE ROOM TEMPERATURE FOR AT LEAST TWO HOURS.

1.2. This appliance is intended for extraction of polluted air from the space above the cooking appliance, and intended for domestic use and the household environment only and meets the requirements of State **Standard of Ukraine DSTU IEC 60335-2-31:2006.**

USE OF THE APPLIANCE IN GOALS OTHER THAN DOMESTIC IS FORBIDDEN. THE RISK OF INJURY AND PROPERTY DAMAGE INCREASES IN CASE OF USE OF THE EXTRACTOR HOOD WITH PURPOSES OTHER THAN INTENDED, WHAT WILL LEAD TO WARRANTY CANCELLATION.

1.3. Use of the extractor hood decreases the content of harmful products of incomplete combustion of natural gas, as well as odors produced during cooking in the air, and prevents pollution of walls, ceiling, and furniture with grease and soot.

1.4 The appliance is an air purifying device of the exhaust type with a diameter fan (turbine), completed with a grease picking aluminum filter (**included**) and has the option of upgrading with a carbon odor filter. It is manufactured from sheets of carbon steel with a decorative protective coating of powder paints - **600 mm** in width.

1.5. Depending on the installation scheme over the cooker, the extractor hood can work in two variants:

- in the mode of air extraction into the stationary ventilation shaft (chimney) of the kitchen using corrugated aluminum or plastic air-ducts **Ø150mm or Ø120mm (see item 5.3);**
- in the recirculation mode (closed circular air circulation in the kitchen), when the extractor hood is not connected to chimney, and the air is passed through aluminum grease filter (included) and smothering carbon filter and is returned to the kitchen (**see paragraph 5.3**).

1.6. Attention! Do not start extractor hood installation before connecting it to electricity network and checking its technical serviceability, and checking all of its functions.

1.7. We recommend that all installation works, connection, and repair of your extractor hood should be carried only by qualified specialists professionally engaged in the execution of such works.

1.8. The manufacturer does not bear responsibility for any damages and failures, caused by incorrect installation, operation, and repair of the extractor hood.

1.9. The manufacturer reserves the right to modify the product in order to improve its quality and technical specifications.

1.10. Technical specifications for the extractor hood are indicated in this manual and on the label attached to the inner surface of the body (access to it opens when the filter is removed).

Attention! The extractor hood should be installed on the wall at the distance of > 650mm above the cooker.

2. MAIN TECHNICAL SPECIFICATIONS

| Model of kitchen extractor hood | | ROCILI |
|--|----------------|-------------------|
| Network voltage, V | | 220-230 |
| AC frequency, Hz | | 50 |
| Control type | | mechanical |
| Number of operation modes | | 3 |
| Rated power consumption, W | Of the motor | 120 |
| | Lighting (LED) | 2x3 |
| | General | 126 |
| Productivity while connecting to standard ventilation system m³/hour | | 400 |
| Overall dimensions of the extractor hood, mm | Width | 600 |
| | Depth | 320 |
| | Height | 770-1000 |
| Connection size of ventilation duct, mm | | Ø150 / Ø120 |
| Noise level, dB | | 60 |
| Protection class | | I |
| Operation mode | | S1 (long-lasting) |
| Electro cable type | | with grounding |

3. PARTS SUPPLIED

| Item | Quantity |
|--|----------|
| Kitchen extractor hood | 1 pcs. |
| Plastic pipe adapter (from Ø150 to Ø120mm) | 1 pcs. |
| Upper chimney cover | 1 pcs. |
| Lower chimney cover | 1 pcs. |
| Screw universal 4,5x40 | 6 pcs. |
| Screw 2,9x9,5 | 2 pcs. |
| Expansion wall plug Ø8X40 | 6 pcs. |
| User's manual | 1 pcs. |

4. SAFETY REQUIREMENTS

| | |
|--------------------------|---|
| <u>ATTENTION!</u> | IT IS FORBIDDEN TO CONNECT THE EXTRACTOR HOOD TO THE NETWORK OF THE ELECTRIC COOKER. PROTECT ELECTRIC CORD FROM MECHANICAL AND THERMAL DAMAGE. |
|--------------------------|---|

4.1. While installing, the operation of conducting technical services, it is strictly forbidden to:

- connect the extractor hood to the electricity network with a voltage and frequency that does not correspond to those specified in paragraph 2;
- use lighting lamps with a power output of more than **3 watts (LED)**;
- carry out maintenance, replace lamps, remove filters, clean the extractor hood without removing the plug from the mains socket;

- operate the extractor hood with an open fire source, open gas burners or heating elements;

Heating elements should be always covered with dishes;

- prepare food with use of alcohol;
- leave the fryer unattended;
- operate the extractor hood with removed filters;
- connect the extractor hood to the electric network of the cooker, cut the socket of the electric cord while installing.

ATTENTION! IT IS FORBIDDEN TO USE GAS (ELECTRIC) COOKER IF THE EXTRACTOR HOOD IS TURNED OFF.

4.2. In order to avoid damage by electric current, the extractor hood must be plugged into a grounded outlet.

4.3. The extractor hood connected to the separate ventilation shaft. It is forbidden to connect other appliances to the same ventilation shaft.

4.4. Using the extractor hood together with other heating appliances (gas, oil, ovens, etc.), besides electric, **it is necessary to provide the premises, in which the extractor hood is installed with the additional flow of the fresh air (for example to open the window).**

4.5. For air extraction to the chimney use air duct **Ø150 / 120mm**. A smaller diameter will create additional air resistance, which will increase noise and vibration, as well as motor overheating.

4.6. Provide timely cleaning of non-disposable aluminum removal filters, otherwise, the efficiency of the extraction will decrease and there will be a fire hazard due to the accumulation of grease and dust in the filter.

4.7. It is forbidden to turn on the extractor hood in case of ignition with the purpose of reduction of smoke until complete localization of fire.

4.8. In case of ignition under the extractor hood, cover the fire with a thick cloth, disconnect the extractor from the electric network, do not use water to extinguish a fire in the places where the electrical appliances are located.

4.9. Protect the cord for connection to the electric network from the mechanic and thermal damages.

5. EXTRACTOR HOOD DESCRIPTION

5.1. The appliance « **ROCILL** » is an air purifying device of the exhaust type with a diameter fan (turbine), completed with a grease picking aluminum filter. It is manufactured from sheets of carbon steel with a decorative protective coating of powder paints.

5.2. The hood type is "vertical", closing to the ventilation duct and mounted in the kitchen on the walls above the stove.

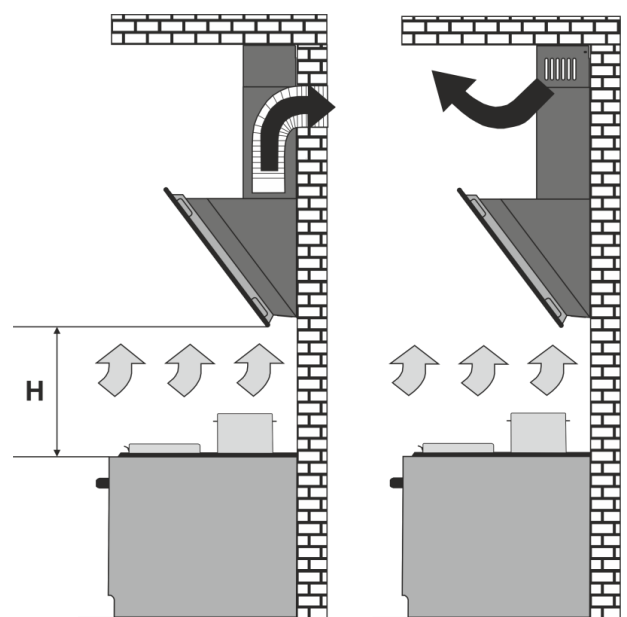
5.3. Depending on the installation scheme over the cooker, the extractor hood can work in two variants (see item 1.5):

- in the mode of air extraction into the chimney of the kitchen (pic. 1).

- in the recirculation mode (pic. 2) (closed circular air circulation in the kitchen).

Distance H:

To cooker > 65cm



Pic. 1

Pic. 2

“It is necessary to consider, that when the extractor hood is on, the pressure is automatically lowered in the enclosed room, and should be balanced with an inflow of fresh air. This may be achieved by opening doors and windows or with use of equipment for special inflow ventilation”.

1 – Ventilation grooves (recirculation mode)

2 – Upper chimney cover

3 – Lower chimney cover

4 – Air flue nozzle adopter

(from Ø150 to Ø120 mm)

5 – Frame

6 – Electric cord with grounding

7 – Switch of the cooker hood operation modes

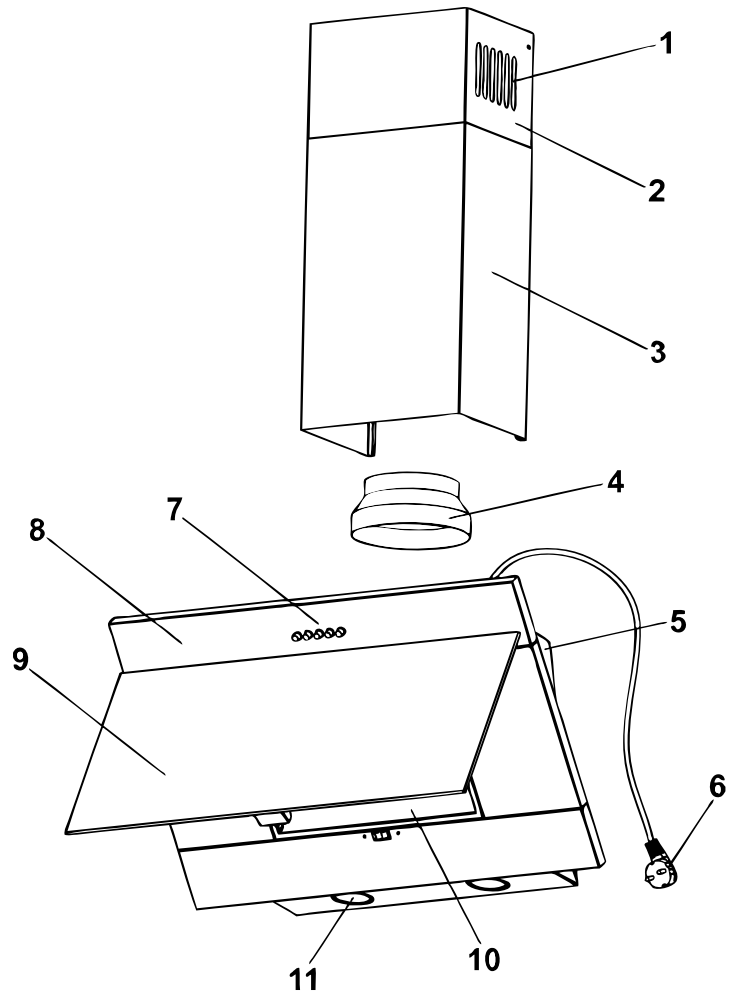
(mechanical)

8 – Front panel

9 – Decorative panel (stainless steel / glass)

10 – Aluminium filter

11 – LED lamps



Pic.3

6. EXTRACTOR HOOD INSTALLATION INSTRUCTIONS

6.1. Select the operation mode and place for installation of the extractor hood.

6.2. Remove the extractor hood from the packaging.

6.3. Check the work of the extractor hood, connect it to the electric network and check all its functions.

6.4. Make marks for the mounting holes of the body on the wall. To do this, put the paper mold with markings of 4 holes in the back wall of the body (points **A, B, C, D**, see the installation scheme), put the mold to the wall on the needed height indicated above, and align it on the level.

6.5. Mark and drill holes in **points A, B, C, D with drill Ø7mm 40mm in depth.**

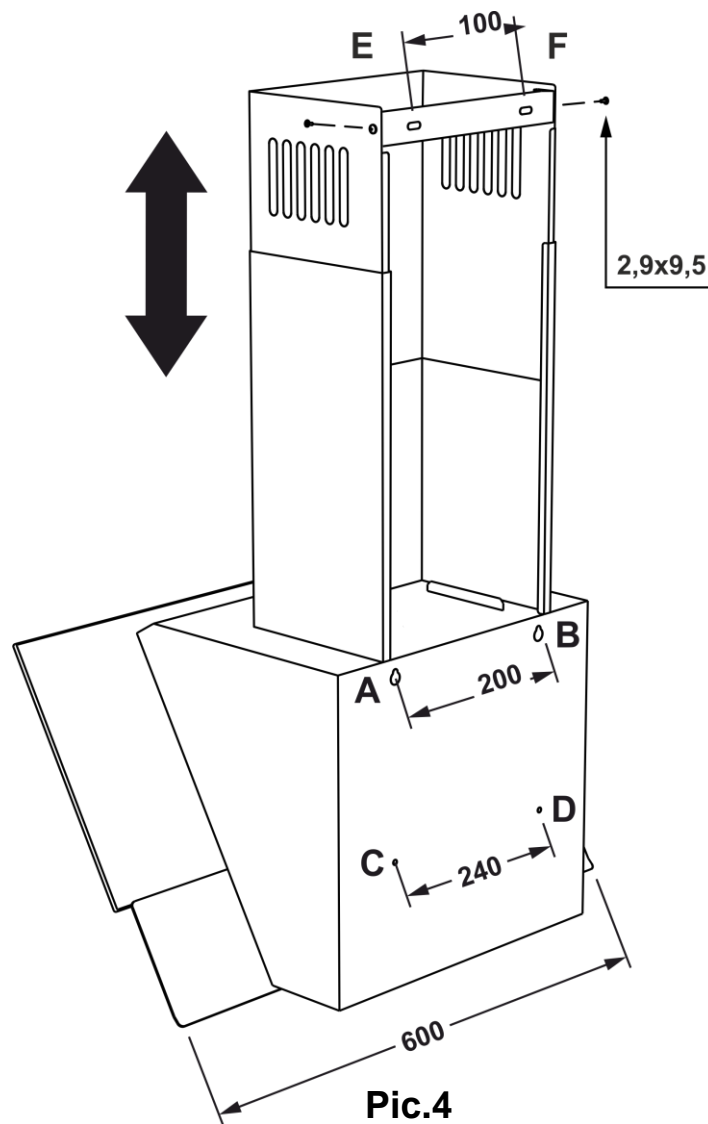
6.6. Install wall plugs into the drilled holes and install 2 trim-head screws **4,5x40** to the **p. A, B**, so the distance between the wall and the head of the screw is **5 mm.**

6.7. Handle the body of the extractor hood on the screws in reference points **A, B.**

6.8. In case of necessity install pipe to pipe adaptor for air duct (**Ø150/120**) and install air duct (**pic.4.1**).

6.9. Install 2 trim-head screws **4,5x40** into the **p. C, D**, from the inside of the extractor hood.

6.10. Install telescopic chimney on the body of the extractor hood. Lift the upper panel of the chimney with a strap up to the ceiling so it closes the ventilation duct, and mold the grooves on the slats 2 holes for mount (**p. E, F**) (**pic. 4**).



Pic.4

6.11. Drill 2 holes $\text{Ø}7$, set wall plugs in and fix the groove with trim-head screws 4,5x40 to the wall.

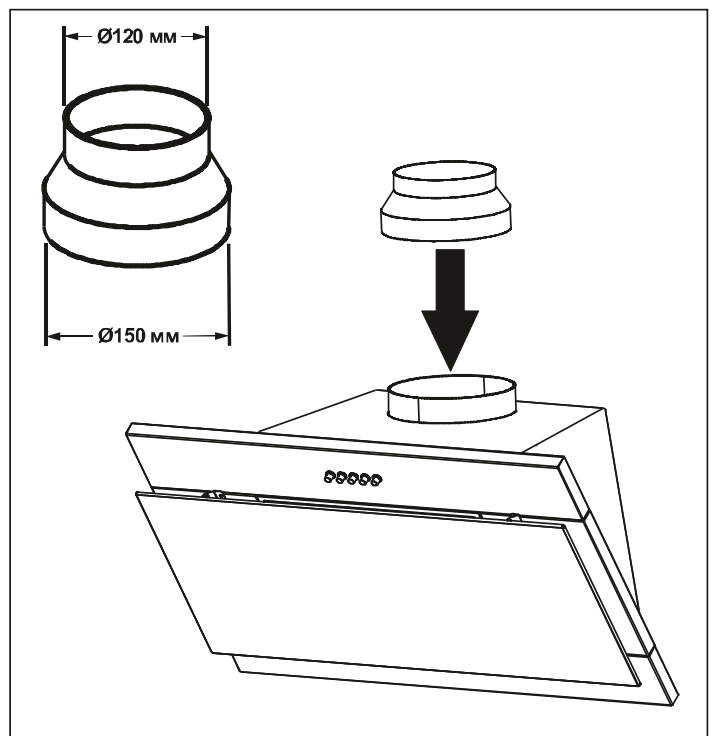
6.12. If the extractor hood is to be operated in an air-to-chimney mode, mount the air duct of the selected diameter in accordance with the instructions, ensuring that it is tight.

6.13. If the extractor hood is to be operated in recirculation mode, there is no need in the air duct. Install odor carbon filter into a T-like stab of the cover of the turbo fan.

6.14. Set external panel of the chimney into grooves on the body of the extractor hood, and raise the internal panel up for combining of the fixing holes with the plank and join it from the side with 2 trim-head screws 2,9x9,5 (pic. 4).

6.15. Check the reliability of the mounting of the extractor hood, feed and connect the cord to the socket to the electricity.

In order to provide additional protection against voltage fluctuations in the network, it is recommended to connect the extractor hood via an additional automatic circuit breaker 6A.



Pic.4.1

7. INSTRUCTIONS FOR USE OF THE COOKER HOOD

7.1 The cooker hood has 3 speeds of ventilation. Depending on the amount of evaporation during cooking, you can choose a low, medium or high of ventilation level.

7.2 Before cooking, turn on the hood in the required operating mode. It is recommended to continue work of the cooker hood for 3-5 minutes after cooking, thus the air in the kitchen will be cleared from the residue of the vapours.

7.3 On the decorative glass of your cooker hood there is a touch switch for operating modes of the engine and lighting lamps (**Pic. 5**):



Pic. 5

- 1 – low speed,
- 2 – average speed,
- 3 – high speed,
- 0 – fan is off.

The touch switch with the symbol of the light bulb, intended to turn on the lamp at insufficient illumination of the working area of the cooker:

- 0 – light is off,
- I – light is on.

7.4. Attention! Before cleaning the extractor hood, disconnect it from the electricity.

7.5. Use a damp cloth soaked in warm water with a neutral detergent for external cleaning of the painted extractor hood.

7.6. Never use abrasive detergents, coarse sponges or detergents containing soda, acid, chlorides or solvents to clean the extractor hood.

7.7. When cleaning, avoid getting moisture on the current-carrying parts of the extractor hood, and wipe the surfaces with a soft cloth after washing.

7.8. The aluminum filter, holding oil and dust from the air, is clogged and should be washed after being soaked in hot water with an effective detergent once every 1.5 to 2 months. Changing the color of the filter after washing does not affect the quality of its work.

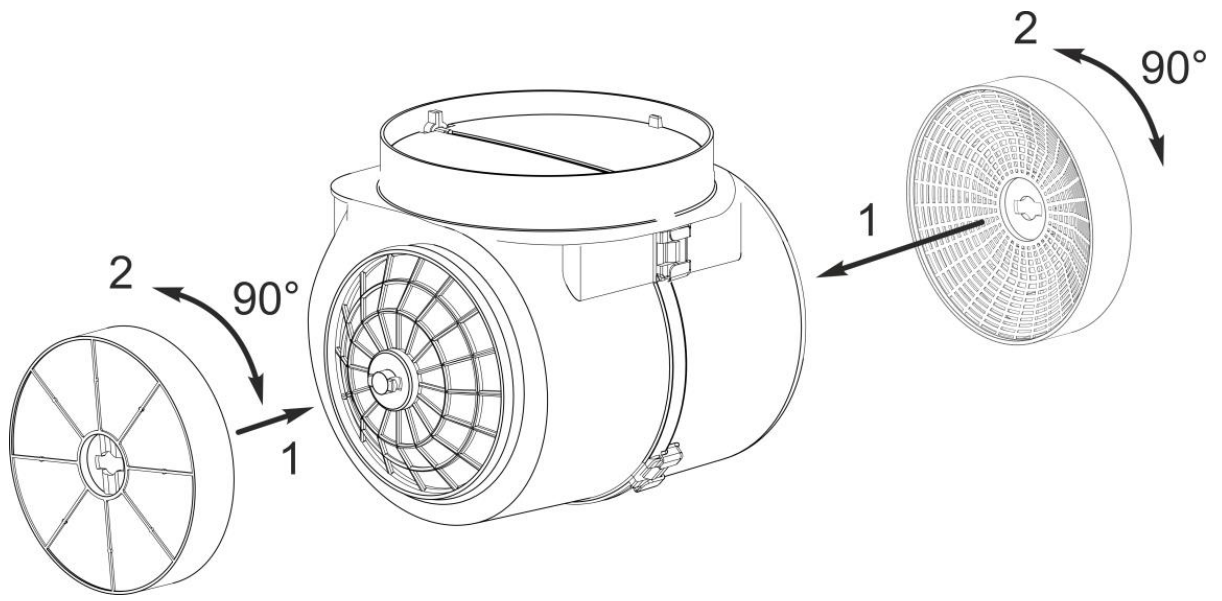
7.9. To remove the aluminum filter, press the spring latch and remove the filter from the panel. Install the filter in reverse order (pic. 6.3).

Do not install the filter after washing until it is completely dry.

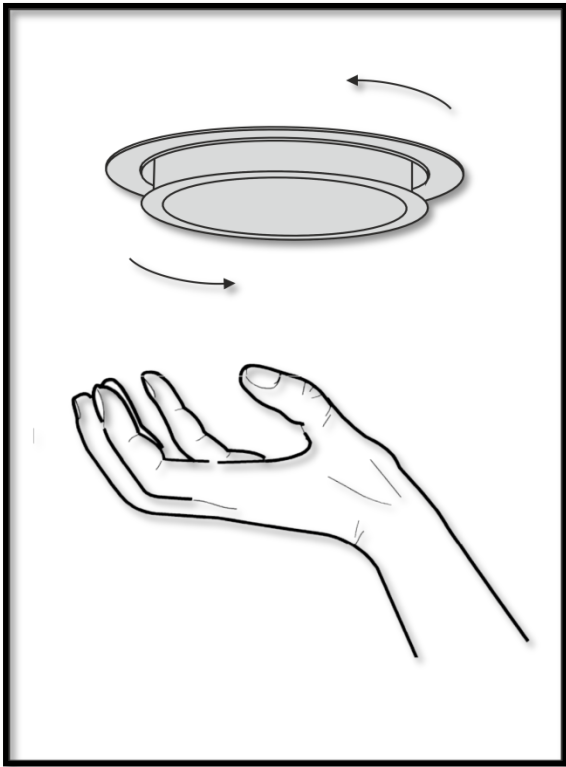
7.10. The carbon filters, used during recirculation mode should be changed every 3-6 months depending on the extractor hood use. **To change the carbon filter, you need to follow the next steps (pic.6.1):**

- 1 – Place the carbon filter on the lock until it stops on both sides.
- 2 – Turn the carbon filter in any direction at an angle of 90 degrees, ensuring fixation.

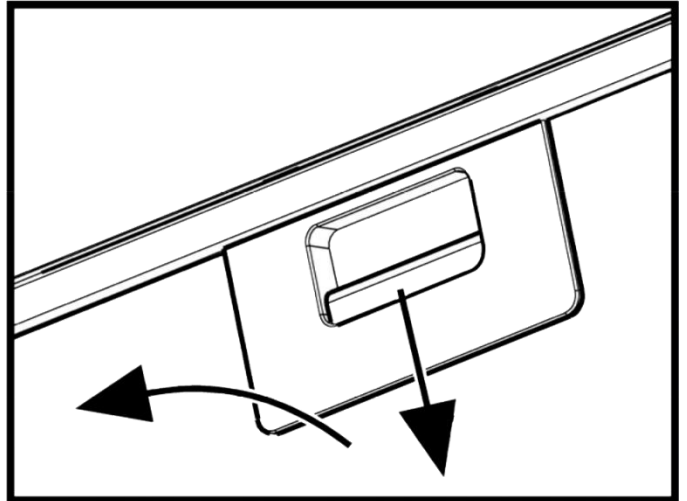
7.11. LED lamps are installed on the extractor hood for lighting the working area of the cooker. Before starting lighting lamps substitution, disconnect the extractor hood from electricity, and leave the lamps to cool. To replace the lamp, remove the aluminum filters, push the holder of the cartridge so that the lamp came out of the body of the extractor hood and remove it by turning it counterclockwise. Replace it with the new one with the same characteristics and install filters (pic.6.2).



Pic. 6.1

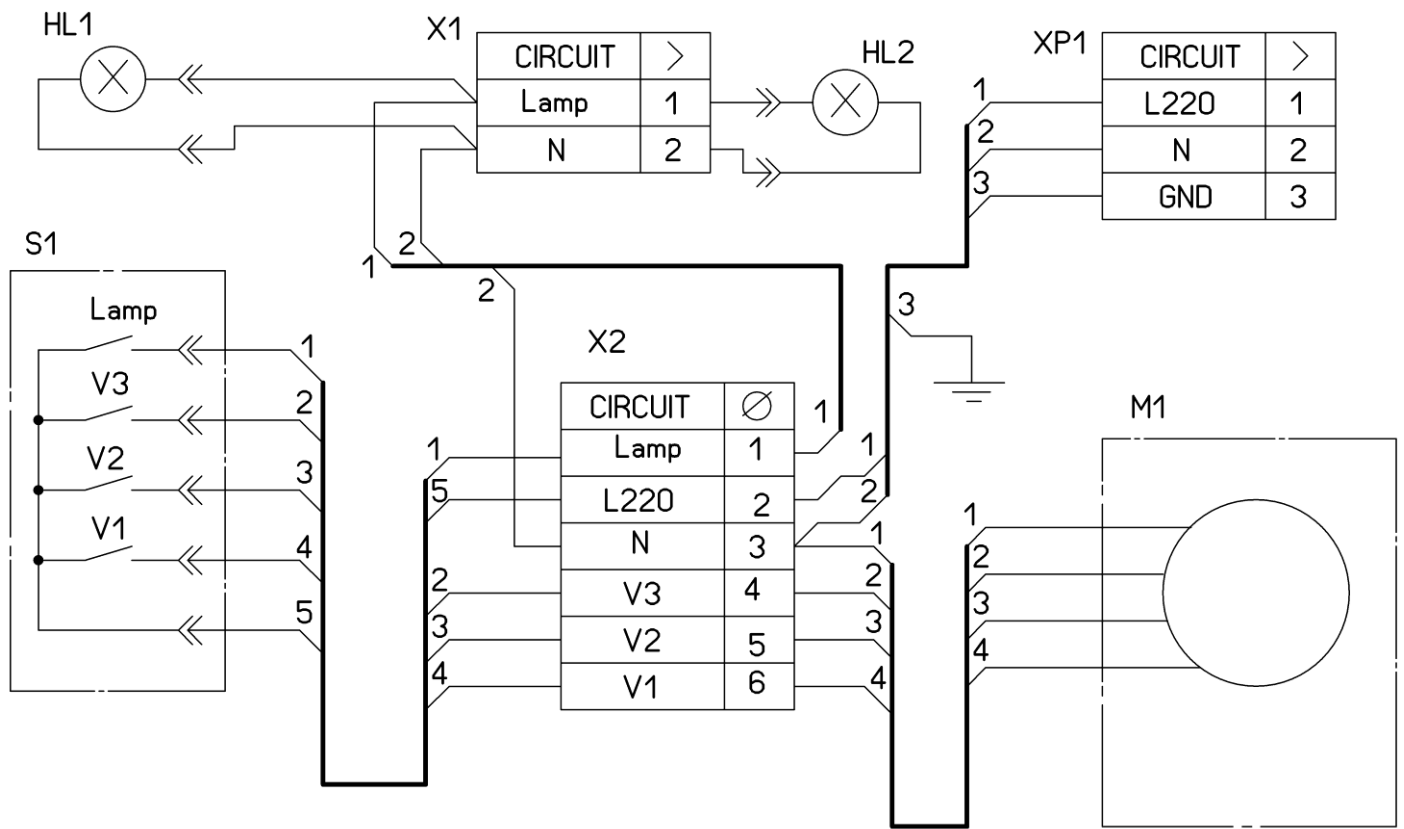


Pic. 6.2



Pic. 6.3

ELECTRICAL SCHEMATIC DIAGRAM



Electrical schematic diagram of the extractor hood «ROCILI» (600 mm)

Possible malfunctions of the extractor hood

| | Check connection to the electricity supply. | Check whether the display is turned on. | Check the lamp switch (should be turned on). | Check aluminum filter (should be cleaned once every 1,5-2 months). | Check the socket (For the power connection). | Check lamps. | Check air outlet pipe (for the traction). | Check carbon filter (replacement once every 3-4 months). |
|--|---|---|--|--|--|--------------|---|--|
| Extractor hood does not work. | ● | ● | | | ● | | | |
| The lamp does not light. | ● | | ● | | ● | ● | | |
| Reduced performance of the extractor hood. | | | | ● | | | ● | ● |
| The extractor hood began to work louder. | | | | ● | | | ● | |
| Air is poorly drawn in the recirculation mode. | | | | ● | | | | ● |

Cher acheteur!

Nous vous sommes reconnaissants pour ce que vous avez choisi la production de «BELDEKO». Nous avons fait des efforts pour que vous soyez contents de notre produit.

1. PRESCRIPTIONS GÉNÉRALES

1.1 Avant l'installation de la hotte et son exploitation il est nécessaire attentivement de prendre connaissance de nos recommandations, l'observation de qui assurera le fonctionnement sûr de l'appareil. Ne jetez pas le mode d'emploi donné, puisque par la suite il peut donner les réponses aux questions, qui apparaîtront.

ATTENTION!!! AVANT L'EXPLOITATION, L'APPAREIL DOIT SE TROUVER À la TEMPÉRATURE ORDINAIRE AU MOINS DEUX HEURES.

1.2 La hotte est destinée pour la dérivation de l'air pollué de l'espace au-dessus de l'appareil pour la préparation de la nourriture, est utilisé exceptionnellement dans le ménage et **correspond aux exigences des Normes d'Etat de l'Ukraine CEI 60335-2-31:2006.**

ATTENTION!!! L'APPLICATION du PRODUIT DANS les BUTS, DISTINGUANT de DOMESTIQUES, EST INADMISSIBLE! À L'UTILISATION de la HOTTE POUR d'AUTRES BUTS IL Y A un RISQUE de la RÉCEPTION du TRAUMA ET L'ENDOMMAGEMENT du BIEN, ET POUR le PRODUIT IL N'Y AURA PAS RÉPANDU GARANTIE!

1.3 L'utilisation de la hotte diminue le contenu en air des produits nuisibles de la combustion incomplète du gaz naturel, diminue partiellement les odeurs désagréables formées à la préparation de la nourriture, réduit la pollution des murs, le plafond et les meubles par les particules de graisse et la suie.

1.4 Ce produit – c'est l'installation de dépoussiérage par gaz du type tirage avec le ventilateur (turbine) diamétral, complété par le filtre à graisses aluminium (**fourni**) et a l'option du complément par le filtre à charbon d'absorbant l'odeur. Est fabriqué par la largeur **600mm** d'en feuilles de l'acier à carbone avec la couverture décorative des peintures en poudre.

1.5 En fonction du schéma de l'installation sur le cuisinier la hotte peut fonctionner dans deux variantes:

- **en régime de la dérivation de l'air au puits d'aéragage stationnaire (tuyau de cheminée) de la cuisine** avec l'utilisation des conduits d'air gaufrés d'aluminium ou en plastique **Ø150mm ou Ø120mm (voir fig. 5);** - **en régime de la recirculation (la circulation fermée circulaire de l'air dans la cuisine)**, quand la hotte n'était pas connectée au tuyau de cheminée, et l'air est passé par le filtre à graisses aluminium (**fourni**) et le filtre à charbon d'absorbant l'odeur (**non fourni**) et revient à la cuisine – (**fig. 2**).

1.6 Attention! Ne commencez pas le montage de la hotte, tant que vous ne l'avez pas connecté au réseau électrique et se sont persuadés de sa fonction technique, ayant contrôlé tous ses fonctions.

1.7 Nous recommandons tous les travaux sur le montage, la connexion et la réparation de votre hotte confier seulement aux spécialistes qualifiés, occupant professionnellement par l'exécution de tels travaux.

1.8 Le producteur ne porte pas la responsabilité de n'importe quels endommagements et les casses liées à l'installation incorrecte, l'exploitation et la réparation de la hotte.

1.9 Le producteur se réserve le droit les modifications du produit en vue de l'amélioration de sa qualité et les paramètres techniques.

1.10 Les caractéristiques techniques de la hotte sont indiquées dans le mode d'emploi et sur le label fixé sur la surface intérieure du corps (l'accès à elle s'ouvre à la dépose du filtre).

1.11 Attention! La hotte est montée au mur au-dessus des réchauds sur la hauteur **>650mm (fig. 1).**

2. CARACTÉRISTIQUES

| | | |
|--|-------------------------------------|-------------------|
| TENSION, V | | 220-230 |
| FRÉQUENCE, Hz | | 50 |
| Nb des MODES d'EXPLOITATION | | 3 |
| CAPACITÉ NOMINALE CONSOMMÉE, W | d'ÉLECTROMOTEUR | 120 |
| | de LAMPE d'ÉCLAIRAGE (LED) | 2x3 |
| PRODUCTIVITÉ À la CONNEXION AU SYSTÈME STANDARD de la VENTILATION, M³/HEURE | | 400 |
| DIMENSIONS, MM | LARGEUR | 600 |
| | PROFONDEUR | 320 |
| | HAUTEUR | 770-1000 |
| DIMENSION de MONTAGE du CONDUIT d'AIR de la VENTILATION, MM | | Ø150 / Ø120 |
| NIVEAU SONORE (Db) | | 60 |
| CLASSE d'aASSURANCE | | I |
| MODE d'EXPLOITATION | | S1 (à long terme) |
| CÂBLE de la HOTTE ARMÉ AVEC la MISE À la TERRE | | |

3. COMPOSITION de l'ENSEMBLE FOURNI

| | | |
|--|---|---------|
| DANS la COMPOSITION de l'ENSEMBLE FOURNI INSÈRE | HOTTE de VENTILATION | 1 PCS. |
| | ADAPTATEUR PLASTIQUE du TUYAU de RACCORD (de Ø150 sur Ø120mm) | 1 PCS. |
| | CHEMINÉE EXTÉRIEURE | 1 PCS. |
| | CHEMINÉE INTÉRIEURE | 1 PCS. |
| | CLOUS À VIS PTG 4,5x40 | 6 PCS. |
| | VIS PKG 2,9x9,5 | 2 PCS. |
| | CHEVILLE À EXPANSION Ø8x40 | 6 PCS. |
| | MODE D'EMPLOI | 1 COPIE |

4. IMPÉRATIF de SÉCURITÉ

| | |
|---------------------|---|
| ATTENTION!!! | IL EST INTERDIT d'ACCROCHER la HOTTE SUR le RÉSEAU du RÉCHAUD ÉLECTRIQUE. PROTEGEZ le CÂBLE des ENDOMMAGEMENTS MÉCANIQUES ET THERMIQUES. |
|---------------------|---|

4.1 Au montage, l'exploitation et la tenue du service **il est interdit catégoriquement:**

- accrocher la hotte sur le réseau électrique avec la tension et la fréquence, ne correspond pas aux paramètres indiqués au chapitre 2;
- utiliser les lampes de l'éclairage par la capacité plus **3 Watts (LED)**;
- faire le service, le remplacement des lampes, retirer les filtres, nettoyer la hotte, non ayant sorti préalablement le prise mâle du câble du prise;
- l'exploitation de la hotte avec la source ouverte du feu, les becs à gaz ouverts ou les éléments chauffants.

Les éléments chauffants doivent être toujours fermés par la vaisselle;

- la préparation de la nourriture avec l'application des boissons spiritueuses;
- laisser les friteuses sans surveillance;

- l'exploitation de la hotte avec les filtres retirés;
- accrocher la hotte sur le réseau électrique des réchauds, couper au montage le prise mâle du câble.

ATTENTION! UTILISER le RÉCHAUD À GAZ (ÉLECTRIQUE) À la HOTTE DÉCLENCHÉ EST INTERDIT CATÉGORIQUEMENT!

4.2 Pour éviter la défaite par l'électrocourant il faut connecter la hotte au prise avec la mise à la terre.

4.3 La hotte doit être connectée au puits d'aérage particulier. Est inadmissible la connexion des autres installations vers le même.

4.4 À l'usage de la hotte simultanément avec d'autres installations de chauffage (les réchauds à gaz, en huile, etc.) excepté électrique, **il est nécessaire d'assurer le local, dans qui la hotte est établie, par l'arrivée supplémentaire de l'air frais (par exemple ouvrir le vasistas).**

4.5 Au montage de la hotte à la hauteur nécessaire H au-dessus du fourneau (**fig. 1**) pour l'extraction d'air au tuyau de cheminée il faut utiliser le conduit d'air Ø150–Ø120mm. Un plus petit diamètre créera la résistance supplémentaire à l'air qu'amènera à l'augmentation du bruit et la vibration, ainsi qu'à la surchauffe du moteur.

4.6 Assurez-vous le nettoyage opportun multiple des filtres à graisse aluminium, autrement baissera l'efficacité du fonctionnement de la hotte et apparaîtra la menace de l'incendie à cause de l'accumulation dans le filtre de la graisse et la poussière.

4.7 À l'inflammation est interdit d'allumer la hotte pour la réduction de l'émission des fumées dans la localisation complète du feu.

4.8 En cas d'inflammation sous la hotte désenflammez par le tissu serré, coupez l'alimentation électrique de la hotte, n'utilisez pas l'eau pour l'extinction de la flamme dans les lieux des appareils électriques.

4.9 Protégez le cordon de raccordement au réseau contre les endommagements mécaniques et thermiques.

5. SPÉCIFICATION de la HOTTE

5.1 La hotte de ventilation «ROCILI» - c'est l'installation de dépoussiérage par gaz du type tirage avec le ventilateur (turbine) diamétral et est complétée par le filtre à graisses aluminium. Le produit est fabriqué par la largeur **600mm** d'en feuilles de l'acier à carbone avec la couverture décorative des peintures en poudre.

La hotte se rapporte au type «vertical» avec la **cheminée décorative** que ferme le conduit d'air de la ventilation. La hotte est montée dans la cuisine au mur au-dessus du fourneau.

5.3 En fonction du schéma de l'installation la hotte fonctionne dans deux variantes (**voir p.1.5**):

- en régime de la dérivation de l'air au tuyau de cheminée de la cuisine (**fig. 1**);
- en régime de la recirculation (la circulation d'air fermée dans la cuisine) (**fig. 2**).

Distance H:

- au réchaud >65cm

Il faut prendre en considération qu'à la hotte allumée à l'intérieur baisse automatiquement la pression qu'il est nécessaire de relever dû au flux d'air frais. On peut atteindre cela par voie de l'ouverture des portes, les fenêtres ou par l'équipement spécial de la ventilation par insufflation.

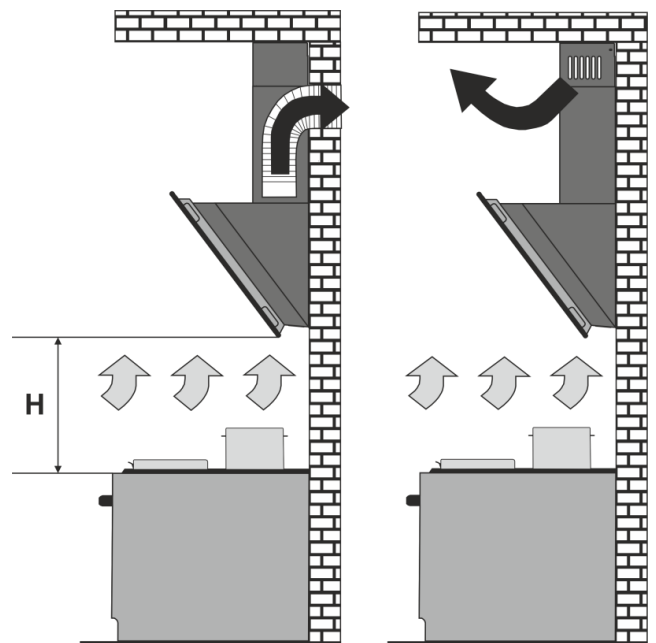


Fig.1

Fig.2

5.4 La hotte comprend les composants suivant (fig.3)

1 – les évidements de ventilation (le régime de la recirculation)

2 – la cheminée intérieure

3 – la cheminée extérieure

4 – l'adaptateur du tuyau de raccord du conduit d'air (de Ø150 au Ø120)

5 – le corps de la hotte

6 – le câble avec la mise à la terre

7 – le commutateur des modes d'emploi

8 – le panneau frontal

9 – le panneau décoratif

10 – le filter à graisse aluminium

11 – les lampes d'éclairage (LED)

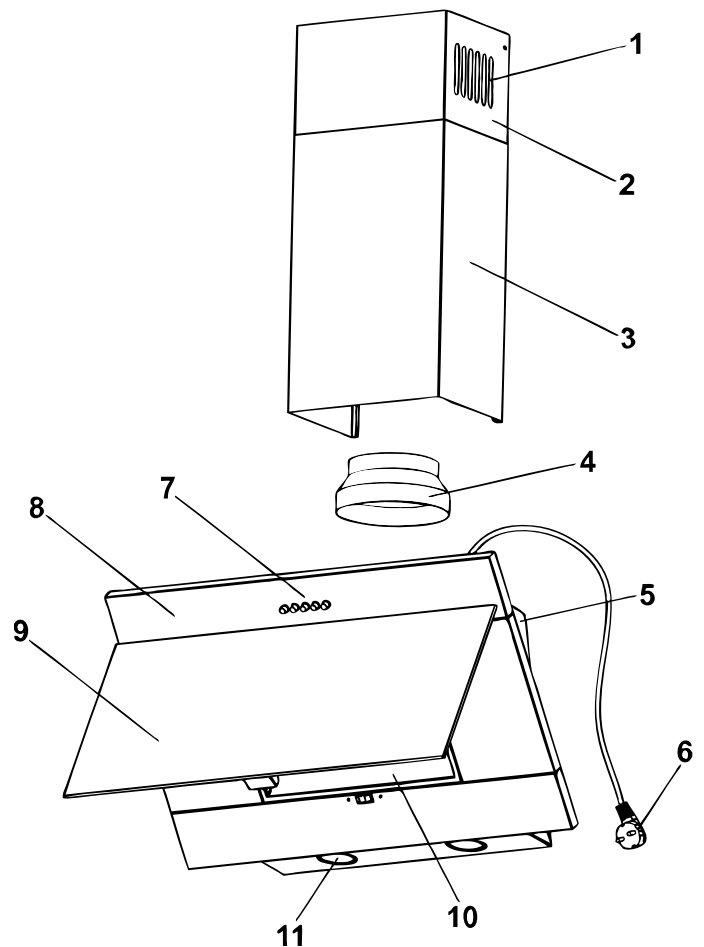


Fig.3

6. INSTRUCTION SUR le MONTAGE de la HOTTE

6.1 Choisissez le mode d'emploi (fig.1 / fig.2) et la place pour l'installation de la hotte.

6.2 Sortez la hotte de la boîte d'emballage.

6.3 Contrôlez le fonctionnement de la hotte, branchez sur le réseau électrique et contrôlez tous ses fonctions.

6.4 Faites le marquage des orifices fixatifs du corps au mur de la cuisine. Pour cela faites le cliché en papier avec les coordonnées de 4 orifices sur le mur de derrière du corps (les points A, B, C, D voir schéma du montage); mettez le cliché au mur sur la hauteur nécessaire indiquée ci-dessus, et l'alignez le niveau.

6.5 Tracez et percez les 4 orifices dans p. A, B, C, D par le foret Ø7mm par la profondeur 40mm.

6.6 Établissez les chevilles aux orifices percés et enfoncez en tournant les 2 vis à bois PTG 4,5x40 dans p. A, B, de manière à la distance entre le mur et la tête de la vis à bois faisait 5 mms.

6.7 Accrochez le corps de la hotte sur les vis à bois dans les points d'appui A, B.

6.8 Établissez si c'est nécessaire sur le tuyau de raccord de la hotte l'adaptateur du conduit d'air (Ø150/120) et montez le conduit d'air.

6.9. Enfoncez en tournant dans p. C, D les 2 vis à bois PTG 4,5x40 de l'intérieur de la hotte.

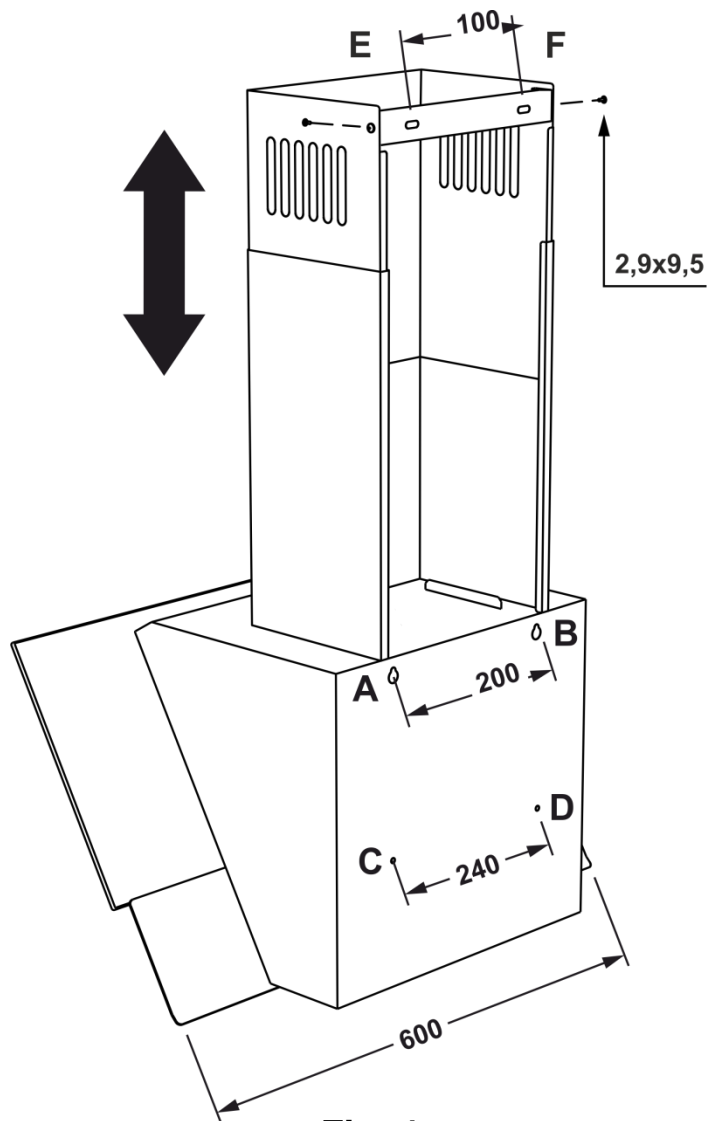


Fig. 4

6.4 Fixer la hotte vers le placard il est recommandé avec l'utilisation des 4 vis auto de forage 4,8x13 DIN968 de l'intérieur de la hotte (les vis auto de forage dans le composition de l'ensemble fourni ne font pas partie). (fig. 4 / 4.1).

6.5 Établissez sur le tuyau de raccord de la hotte l'adaptateur du conduit d'air (Ø120mm).

6.6 Si la hotte fonctionne en régime de la dérivation de l'air au tuyau de cheminée, montez le conduit d'air d'après l'instruction, ayant assuré son herméticité.

6.7 Si la hotte fonctionne en régime de la recirculation, le conduit d'air n'est pas nécessaire. Il est nécessaire d'établir le filtre à charbon absorbant l'odeur (achetez à part).

6.8 Contrôlez la sécurité de la fixation de la hotte, amenez et branchez par le prise le câble au réseau électrique. En vue de la protection supplémentaire contre les rampes de tension dans le réseau nous recommandons de connecter la hotte dans le commutateur supplémentaire automatique 6A.

En vue de la protection supplémentaire contre les rampes de tension dans le réseau nous recommandons de connecter la hotte à l'aide du conjoncteur-disjoncteur supplémentaire 6A.

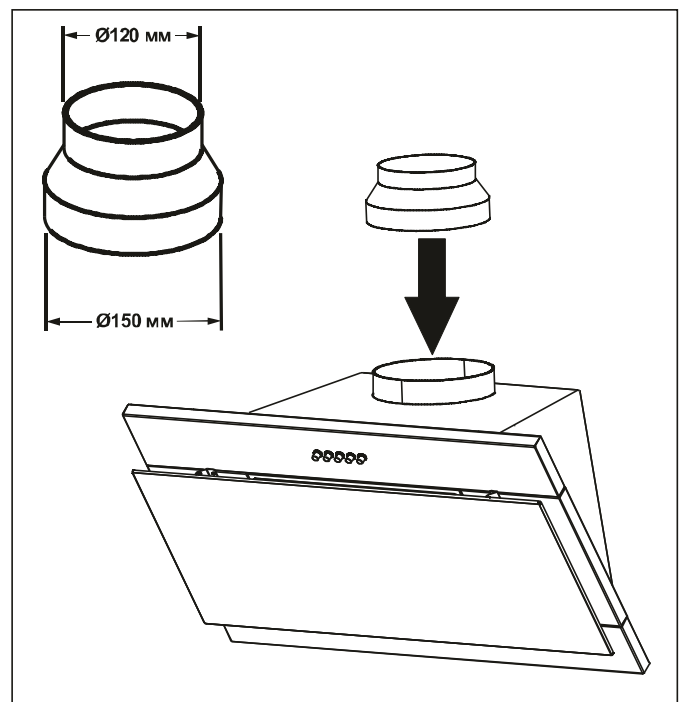


Fig. 4.1

7. INSTRUCTION POUR L'UTILISATION

7.1 La hotte a 3 vitesses de la ventilation. En fonction de la valeur des vapeurs à la préparation de la nourriture vous pouvez choisir le niveau bas, moyen ou haut de la ventilation.

7.2 Avant la préparation de la nourriture allumez la hotte dans le mode nécessaire. Il est recommandé de continuer le fonctionnement de la hotte pour 3-5 minutes après la fin de la préparation de la nourriture, ainsi l'air dans la cuisine sera nettoyé des restes des vapeurs et les odeurs.

7.3 Sur le panneau inférieur du corps on installe le commutateur de bouton des modes et l'allumage des lampes de l'éclairage (**fig. 5**).



Fig.5

- 1 – circulations basses,
- 2 – circulations moyennes,
- 3 – circulations hautes,
- 0 – aspirateur est déclenché.

Le commutateur avec le symbole de la lampe est destiné pour l'allumage des lampes de l'éclairage à l'éclairage insuffisant de la zone ouvrière du fourneau:

- 0 – lumière éteinte,
- I – lumière allumée.

7.4 L'attention! Avant le nettoyage de la hotte il faut la débrancher du réseau électrique.

7.5 Pour le nettoyage extérieur de la hotte peintes utilisez le tissu humide mouillé dans l'eau chaude avec le produit pour le lavage neutre, et pour les hottes de l'acier inoxydable utilisez les moyens spéciaux, en se tenant aux instructions correspondantes.

7.6 N'utilisez jamais pour le nettoyage de la hotte les produits pour le lavage abrasifs, les éponges grossières ou les moyens nettoyant contenant la soude, l'acide, les chlorures ou les dissolvants.

7.7 Au lavage évitez l'atteinte de l'humidité sur les parties actives de la hotte, et après le lavage essuyez les surfaces par la serviette molle.

7.9 Le filtre d'aluminium, en retenant l'huile et la poussière de l'air, se bouche et il faut le laver après la trempe dans l'eau chaude avec le produit pour le lavage effectif de **1 fois tous les 1,5-2 mois**. Le changement de la couleur du filtre après le lavage n'influence pas la qualité de son fonctionnement.

7.10 Pour la dépose du filtre d'aluminium (**fig. 6.2**) Il fut appuyer sur le loquet à ressort et, ayant tiré pour lui-même et en bas, déposer le filtre du panneau. L'installation du filtre accomplir dans l'ordre inverse.

N'établissez pas le filtre après le lavage avant son dessèchement complet.

7.11 Les filtres à charbon (**sont achetés à part**), utilisés au régime de la recirculation **il faut remplacer tous les 3-6 mois** en fonction de l'exploitation de la hotte. Pour remplacer le filtre à charbon, vous devez suivre les étapes suivantes (Fig. 6.1):

- Retirez le filtre en aluminium.
- (1) - Placez le filtre à charbon sur le support aussi loin que possible des deux côtés.
- (2) - Tournez le filtre à charbon dans n'importe quelle direction à un angle de 90 degrés, assurant la fixation.
- Installez le filtre en aluminium.

7.12 Sur la hotte sont établies les **LED** de la surbrillance de la zone ouvrière du fourneau. Avant le remplacement des lampes de l'éclairage il est nécessaire de débrancher la hotte du réseau électrique, donner la possibilité de se refroidir aux lampes. Pour le remplacement de la lampe il est nécessaire de déposer les filtres d'aluminium, presser la teneur de la douille de manière à la lampe est sortie du corps de la hotte et la tourner dans le sens horaires (**fig. 6.3**). Au lieu d'elle il est nécessaire d'établir la nouvelle avec les mêmes caractéristiques et établir les filtres.

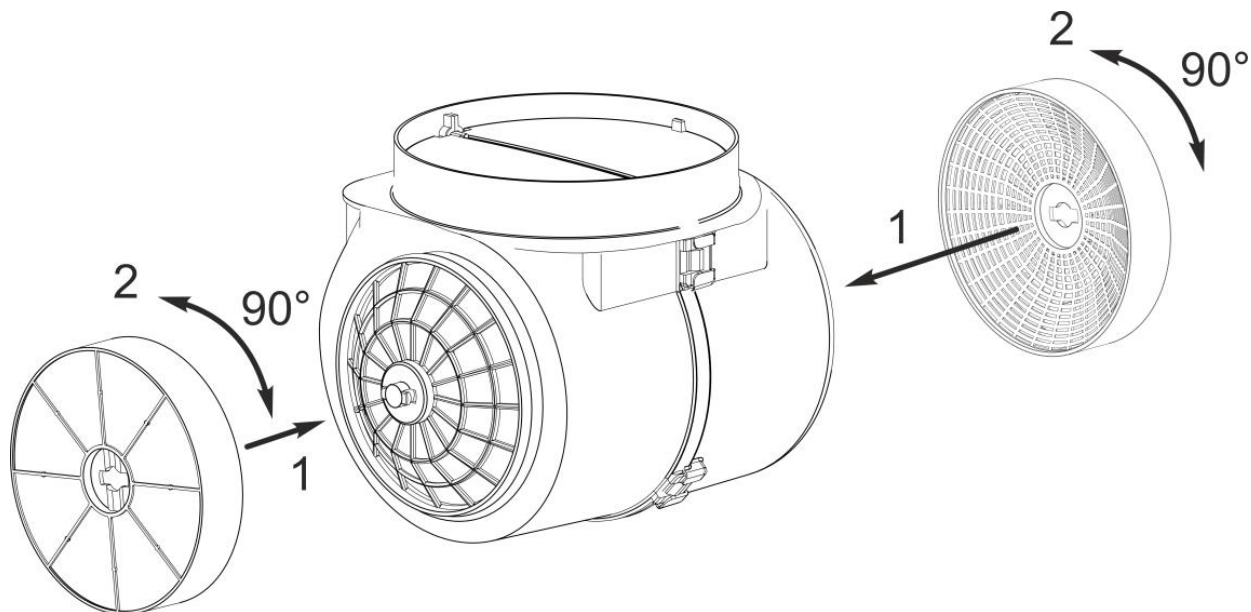


Fig. 6.1

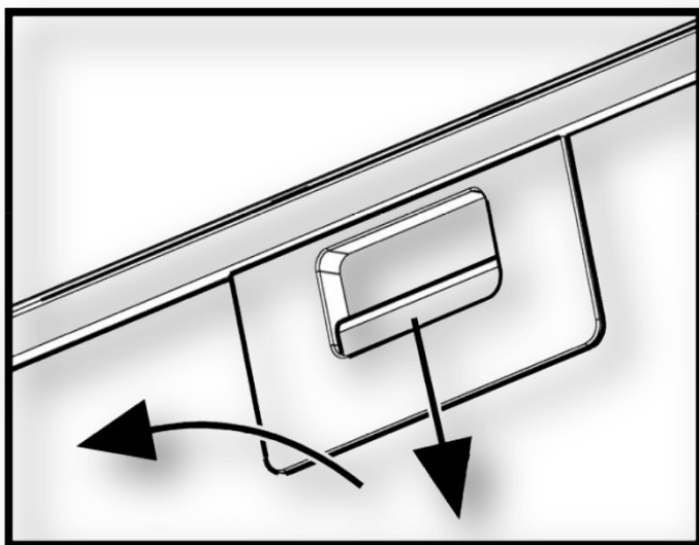


Fig. 6.2

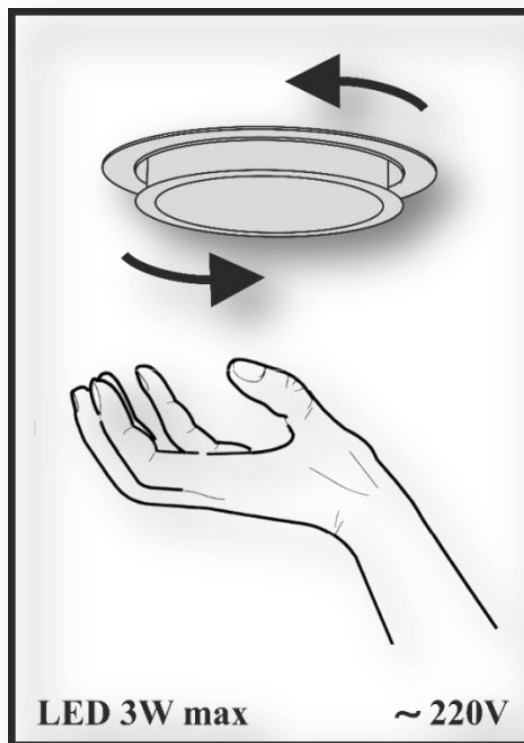


Fig. 6.3

ÉLECTROSCHEMA IMPORTANT DE LA HOTTE

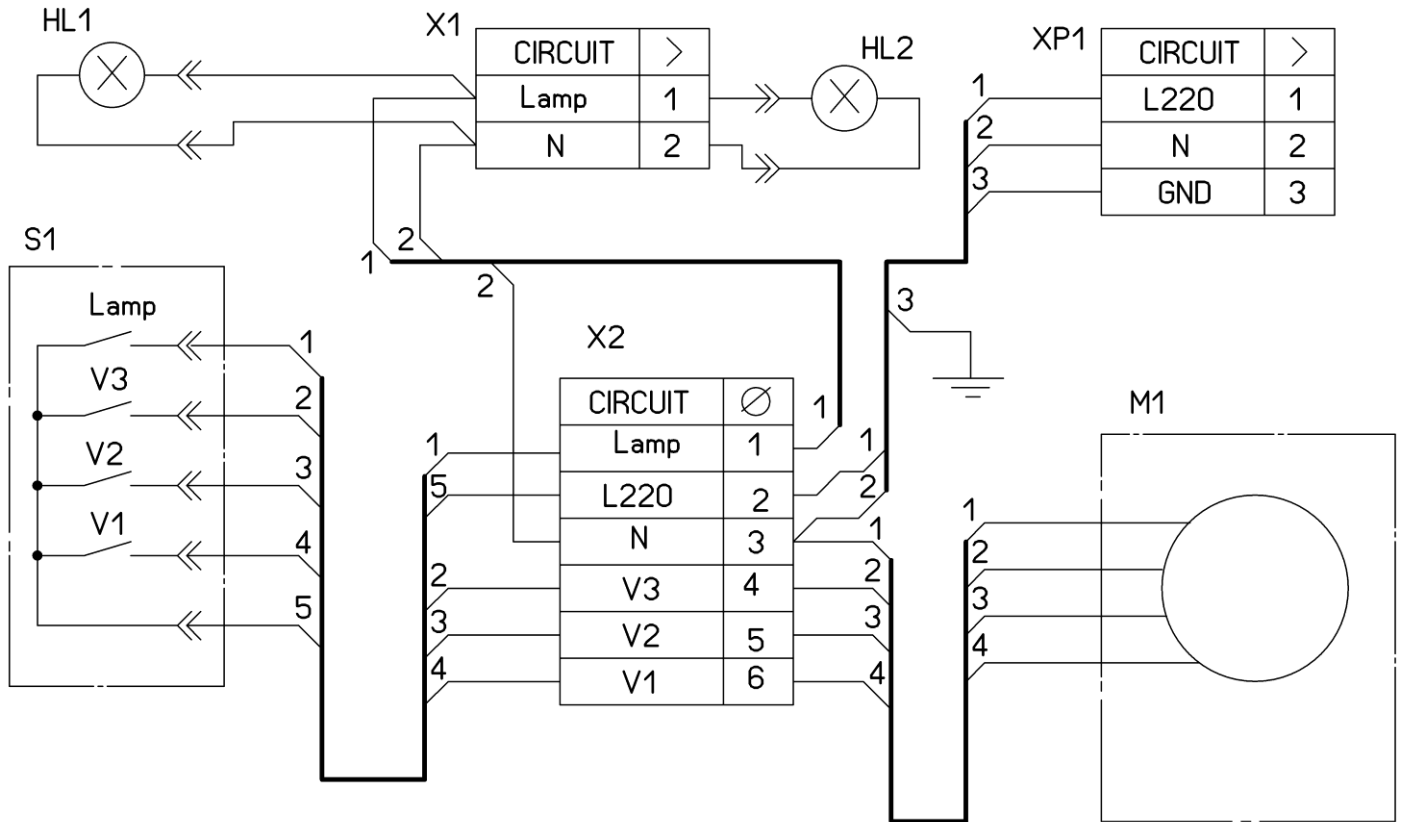


Fig. 8. L'électroschéma important de la hotte «ROCILI»

INCIDENTS POSSIBLES DE LA HOTTE

| | Contrôler le câblage d'énergie | Contrôler si le moteur est allumé | Contrôler l'interrupteur de la lampe (doit être allumé) | Contrôler le filtre d'aluminium (laver 1 fois à 1,5-2 mois) | Contrôler la prise (s'il y en a une tension) | Contrôler les lampes | Contrôler le tube de la sortie de l'air | Contrôler le filtre à charbon (le remplacement de 1 fois à 3-4 mois) |
|---|--------------------------------|-----------------------------------|---|---|--|----------------------|---|--|
| La hotte ne fonctionne pas | ● | ● | | | ● | | | |
| N'allume pas la lampe | ● | | ● | | ● | ● | | |
| A diminué la productivité de la hotte | | | | ● | | | ● | ● |
| La hotte fonctionne plus haut | | | | ● | | | ● | |
| En régime de la recirculation de l'air faiblement conduit | | | | ● | | | | ● |